

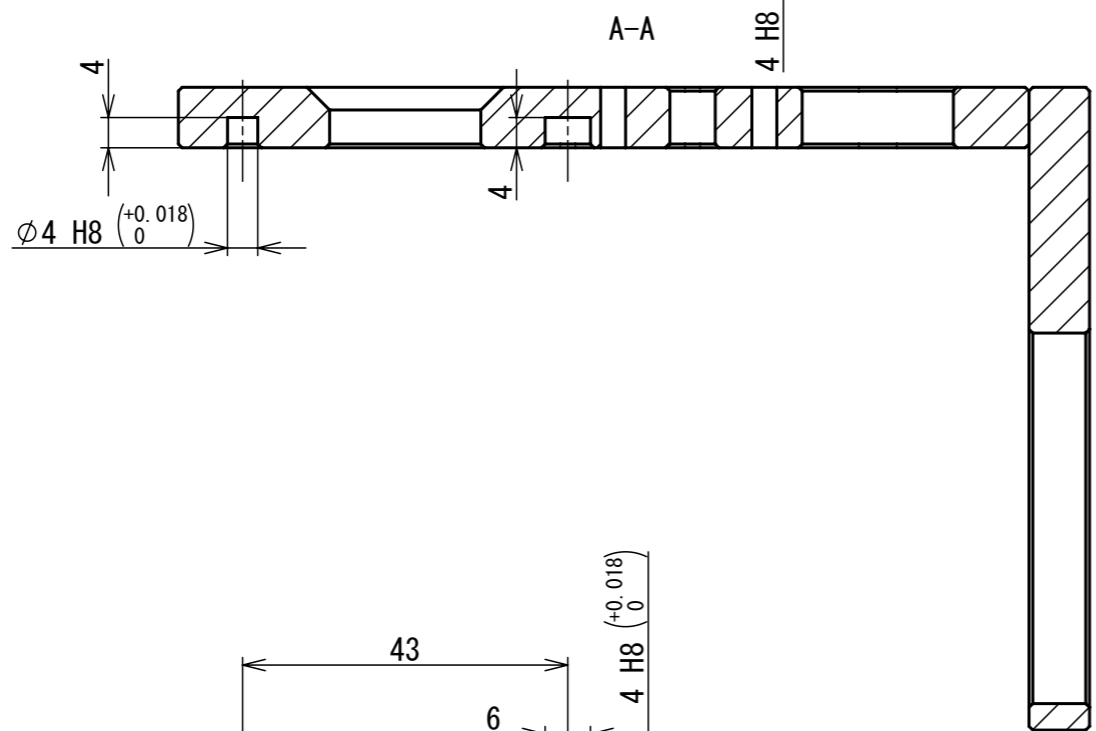
6xØ3.4, 6.5深座ぐり深さ5.3(60° 等配)

2xM4

6

20

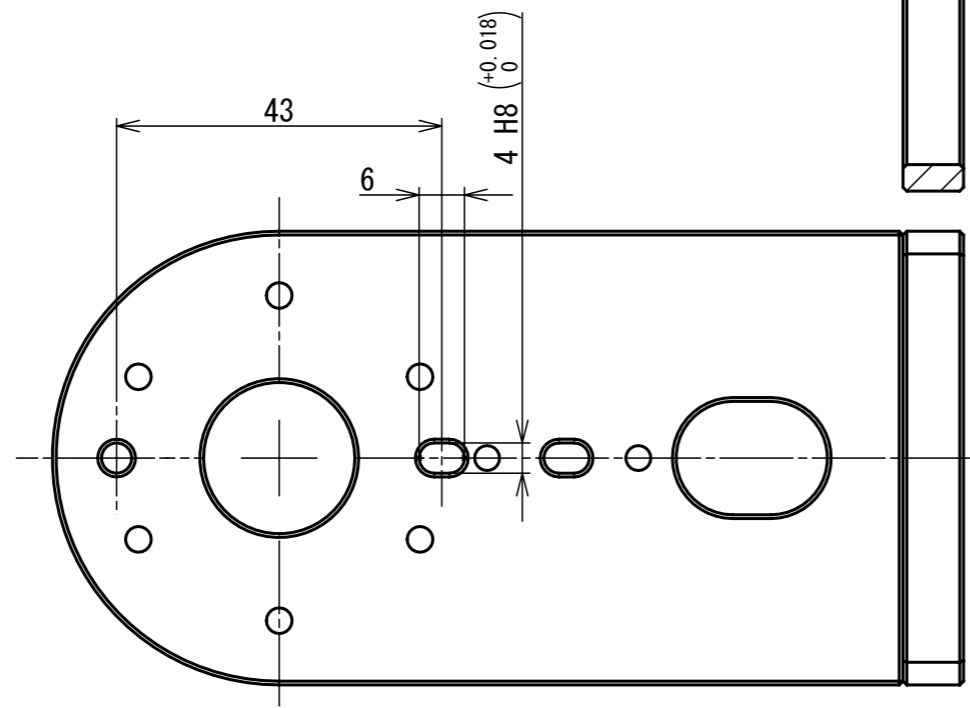
4 H8 (+0.018/0)



A-A

Ø4 H8 (+0.018/0)

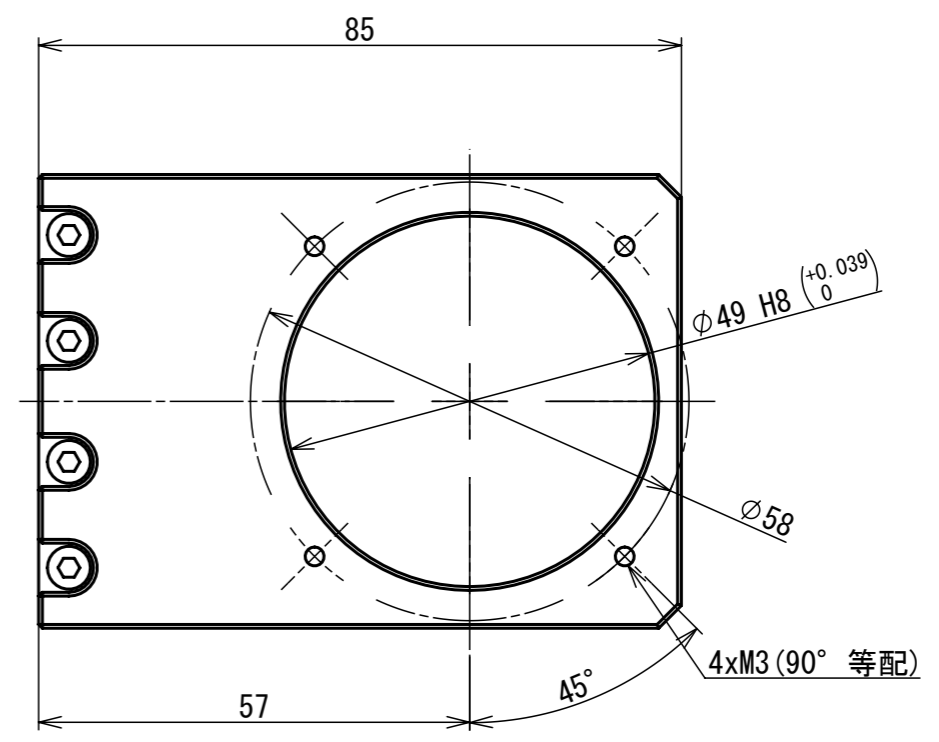
4



43

6

4 H8 (+0.018/0)



Ø49 H8 (+0.039/0)

Ø58

4xM3 (90° 等配)

57

45°